

CFM
CONTINENTAL FAN

Get Serious...

About Range Hood Exhaust

AXC IN-LINE DUCT FANS

Continental Fan's AXC in-line centrifugal duct fans are the ideal air movers for residential, commercial and industrial applications. The quiet and efficient backward-curved impeller is capable of developing significant pressure, and the in-line configuration simplifies installation. The unique motor design, combined with high quality materials and workmanship, result in a truly versatile fan.

A BETTER IDEA

Continental Fan's better ventilation solutions include powerful AXC Range Hood Exhaust fans. These remote-mounted fans improve the efficiency of range hoods, while reducing noise. The exclusive combination of design features delivers a powerful, yet quiet, fan that is unmatched by any other range hood exhaust system.

DESIGN FEATURES

- AXC fans are UL and CSA approved.
- AXC fans have maintenance-free and energy efficient external rotor motors.
- AXC fans have backward-curved impellers, which greatly reduce operating noise levels.
- AXC fans are completely speed controllable.
- AXC fans have a heavy gauge, drawn steel housing, epoxy coated inside and out for superior corrosion protection.

TYPICAL INSTALLATION

Using a 3-foot range hood as an example, the Home Ventilating Institute (HVI) recommends (3' x 100 cfm) 300 cfm of exhaust ventilation for a wall hood, and (3' x 150 cfm) 450 cfm of exhaust for an island hood. Please note that these are minimum ventilation requirements.

Continental Fan recommends over-sizing the fan by 20% and installing an optional solid-state and variable speed controller. This allows fan performance to be adjusted as needed, and allows for an extra 'boost' when extraordinary cooking requirements demand it. For today's new commercial-style residential cooking ranges, we recommend a minimum 100 cfm of exhaust capacity per square foot of hood intake area.

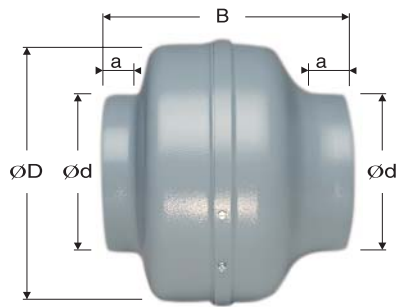
These recommendations are guidelines only. Actual site conditions may require larger exhaust fan capacity to achieve satisfactory ventilation.

INSTALLATION TIPS

- AXC fans can be mounted in a remote, but accessible location.
- AXC fan efficiency is constant, regardless of distance from range hood.
- AXC fan sound level decreases as the distance from the range hood increases.
- AXC Range Hood Exhaust fans must be used in conjunction with a removable grease filter and approved ducting.

PERFORMANCE DATA													
MODEL NO.	CUBIC FEET PER MINUTE												
	0"SP	1/8"SP	1/4"SP	3/8"SP	1/2"SP	3/4"SP	1"SP	1 1/4"SP	1 1/2"SP	2"SP	3"SP	4"SP	4 1/2"SP
AXC100A	106	99	93	87	80	68	55	39					
AXC100B	152	146	139	131	124	106	82	66	33				
AXC125A	159	127	100	82	68	34							
AXC125B	212	185	162	145	128	79	32						
AXC150A	247	225	202	178	161	132	92	50					
AXC150B	309	271	237	202	171	132	107	88	15				
AXC200A	418	397	366	339	306	233	174	110	56				
AXC200B	636	618	557	521	494	412	353	271	190	78			
AXC250	695	659	610	541	500	359	279	197	125	41			
AXC315A	865	824	765	736	677	553	459	365	283	124			
AXC315B	1198	1165	1052	981	945	796	615	453	363	178	65		
AXC355A	1325	1220	1105	985	860	688	550	400	238				
AXC355B	1400	1375	1360	1335	1285	1220	1135	1075	1000	880	675	425	200

TECHNICAL DATA										
MODEL NO.	CFM	WATTS	R.P.M.	dBA	WEIGHT (lbs)	D (in.)	d (in.)	a (in.)	B (in.)	
AXC100A	106	55	1750	44	6.5	9.5	4	1.0	8.3	
AXC100B	152	85	2400	54	6.5	9.5	4	1.0	8.3	
AXC125A	159	62	1650	36	6.5	9.5	5	1.0	8.3	
AXC125B	212	85	2350	53	6.5	9.5	5	1.0	8.3	
AXC150A	247	80	2500	54	6.5	9.5	6	1.0	8.3	
AXC150B	309	72	2580	55	11.0	13.2	6	1.0	9.1	
AXC200A	418	72	2550	56	11.0	13.2	8	1.0	9.1	
AXC200B	636	160	2700	60	11.0	13.2	8	1.0	9.1	
AXC250	695	250	2650	63	11.0	13.2	10	1.0	9.1	
AXC315A	865	190	2650	68	18.0	15.9	12.4	1.2	11.6	
AXC315B	1198	345	2765	74	20.0	15.9	12.4	1.2	12.0	
AXC355A	1325	334	1360	57	26.0	19	14	1.5	15.7	
AXC355B	1400	830	2900	77	31.0	19	14	1.5	15.7	



UL Note: AXC models 100A through 315B are UL and CSA listed products.

SP

SP Note: AXC models 355A and 355B are CSA listed to both US and Canadian standards.

5-Year Warranty

ACCESSORIES



Solid state speed control allows fan speed to match required performance.



Backdraft damper with spring return prevents cold air from entering when fan is not in use.



Mounting clamps for use with rigid duct, complete with rubber insulation.

 <p>Continental Fan Manufacturing Inc. 203 Eggert Road, Buffalo, NY 14215 Tel.: 800-779-4021 Fax: 716-842-0611 www.continentalfan.com email: cfm@continentalfan.com</p>	 <p>Aeroflo Inc. 12-205 Matheson Blvd. E. Mississauga, Ontario, Canada L4Z 3E3 Tel.: 800-779-4021 / 905-890-6192 Fax: 905-890-6193 www.aeroflo.com email: aeroflo@aeroflo.com</p>
--	--

Distributed By: